



# DSH Foam Dock Seal with Head Curtain

## Product Specifications



### DESIGN HIGHLIGHTS

- Top of hood is tapered forward and securely fastened to the building wall
- Tapered top is supported with thick wall aluminum pipe
- Fiberglass stays add stiffness to hood top to prevent sagging
- Hood curtain splits offer load relief and higher clearance
- Roll-formed galvanized steel framing reduces pressure on building wall, warranted for 5 years
- Endurance tested foam core is continuously bonded to frame surface with flexible, non-flammable adhesive
- A wide selection of durable coated fabrics provide maximum durability
- Highly resilient, open-celled polyurethane foam keeps original shape and compresses easily to extend seal life
- Side pad bottoms are tapered to avoid pinching and wear
- All pads are vented for air and moisture release
- Full length yellow stripes guide drivers to the dock
- Heavy-duty, galvanized steel mounting brackets included

### APPLICATION DATA

Door width: \_\_\_\_\_ ft. \_\_\_\_\_ in.  
 Door height: \_\_\_\_\_ ft. \_\_\_\_\_ in.  
 Dock height: \_\_\_\_\_ ft. \_\_\_\_\_ in.

Bumper protection\*: \_\_\_\_\_ in.

(\*Includes bumper projection and any building wall/foundation offset or cantilever)

### TRUCKS AND TRAILERS SERVICED

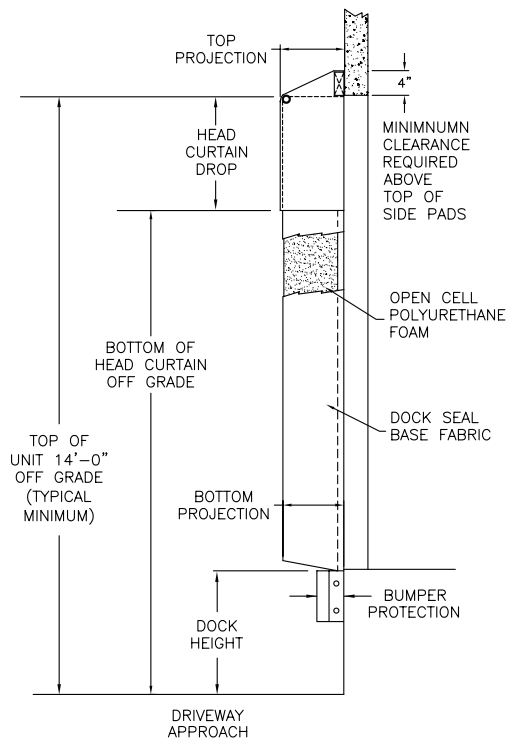
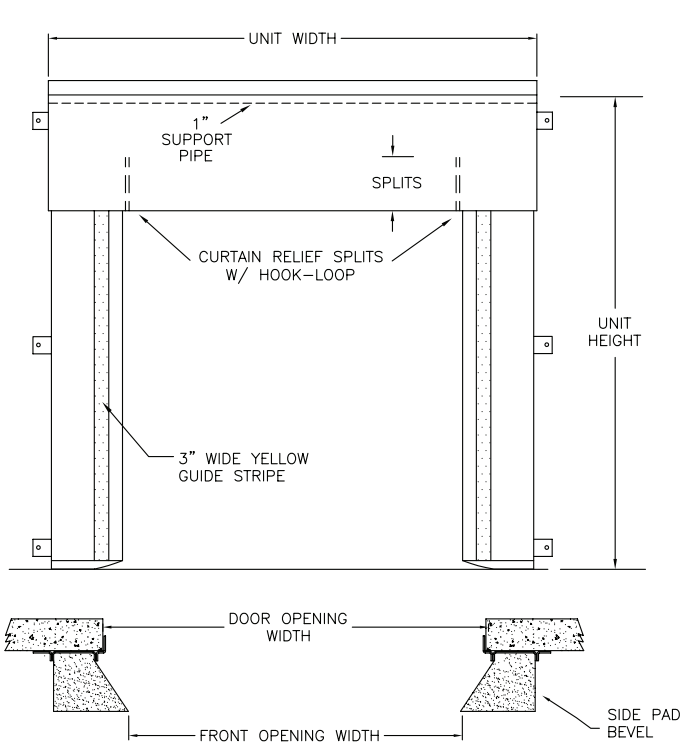
Width: \_\_\_\_\_ Max. \_\_\_\_\_ Min.  
 Height: \_\_\_\_\_ Max. \_\_\_\_\_ Min.  
 Length: \_\_\_\_\_ Max. \_\_\_\_\_ Min.  
 Hydraulic tailgate:  Yes  No      Rear step section:  Yes  No  
 Tailgate/step section size: \_\_\_\_\_ in      Yard jockeys:  Yes  No

### PROJECT INFORMATION

JOB NAME \_\_\_\_\_  
 ADDRESS \_\_\_\_\_  
 GENERAL CONTRACTOR \_\_\_\_\_  
 DISTRIBUTOR \_\_\_\_\_  
 QUANTITY \_\_\_\_\_

### CERTIFIED FOR CONSTRUCTION

BY \_\_\_\_\_  
 COMPANY \_\_\_\_\_  
 ADDRESS \_\_\_\_\_  
 DATE \_\_\_\_\_



Quantity \_\_\_\_\_ Model:  DSH

Head Curtain Width: (Distance to outside of side pads) \_\_\_\_\_ (Total inches)

Head Curtain Drop:  18"  24"  30"  36"  42"  48"  \_\_\_\_\_

Head Curtain Splits:  6"  12"  18"  24"  30"  36"  No split

Head Curtain Options:  None  Pull-rope assy  2" foam front  Sectional foam front

Side Pad Height: \_\_\_\_\_ (Total inches)

Side Pad Back/Face:  6/10  8/12  10/12  12/12  12/15  8/15  6/14  10/18  8/23

Base Material:  22 oz. vinyl  40 oz. vinyl  16 oz. CSM  40 oz. CSM  TS-55®

Color:  Black  Tan  Brown  Blue  Green

Taper:  Tapered  Non-Tapered

Top Projection:  8"  10"  12"  14"  16"  18"  20"  22"  24"

Bottom Projection:  8"  10"  12"  14"  16"  18"  20"  22"  24"

Bottom Flaps:  None  3"  6"  Inside  Inside & front  All 3 sides  D-Rings

Blockout:  None  Top projection \_\_\_\_\_"  Bottom projection \_\_\_\_\_"

Wear Pleats:  None  WP4  WP8  WP16  Head and side pads  Head pad corners

Material:  22 oz. vinyl  40 oz. vinyl  40 oz. CSM  TS-55®

Color:  Black  Tan  Brown  Blue  Green

Wear Face:  None  Head pad  Side pad

Material:  22 oz. vinyl  40 oz. vinyl  40 oz. CSM  TS-55®

Color:  Black  Tan  Brown  Blue  Green

Reinforced Inside Face:  Standard  Side pad full height

Material:  22 oz. vinyl  40 oz. vinyl  40 oz. CSM  TS-55®

Color:  Black  Tan  Brown  Blue  Green

Options:  Door numbers  24" Guide stripes  Flame retardant fabric & foam  Flame retardant fabric only  Flame retardant foam only

Side Pad Mounting Brackets:  None  Flats & angles  Angles  1 1/2" Offsets & angles

\*Note: Consult factory for blackout application assistance.

\*Conversions: To convert measurements to metric, see formulas below:

Inches x 25.4 = millimeters (Example: 4" x 25.4 = 101.6 mm)

Feet x .3048 = meters (Example: 12' x .3048 = 3.66 m)



**Kelley**  
 1612 Hutton Drive, Suite 140  
 Carrollton, TX 75006  
 800.558.6960  
 www.kelleydockolutions.com

4Front Engineered Solutions reserves the right to change specifications and designs without notice and without incurring obligations. 4Front Engineered Solutions products may be the subject of one or more U.S. and/or foreign, issued and/or pending, design and/or utility patents. Kelley as word and logo are registered trademarks belonging to ASSA ABLLOY Entrance Systems AB or other companies controlled by the same organization. All rights reserved.

©ASSA ABLLOY. All rights reserved. Part of ASSA ABLLOY. Printed in USA. KPS-SEDSH-1220