

# S-700 Foam Dock Seal with Head Curtain

## Product Specifications



### DESIGN HIGHLIGHTS

- Top of hood is tapered forward and securely fastened to the building wall
- Fiberglass stays add stiffness to hood top to prevent sagging
- Hood curtain splits offer load relief and higher clearance
- Roll-formed galvanized steel framing reduces pressure on building wall, warranted for 5 years against rotting, splitting or cracking
- Endurance tested foam core is continuously bonded to frame surface with flexible, non-flammable adhesive
- A wide selection of durable coated fabrics provide maximum durability
- Highly resilient, open-celled polyurethane foam keeps original shape and compresses easily to extend seal life
- Side pad bottoms are tapered to avoid pinching and wear
- All pads are vented for air and moisture release
- Full length yellow stripes guide drivers to the dock
- Hood curtain splits offer load relief and higher clearance

### APPLICATION DATA

Door width: \_\_\_\_\_ ft. \_\_\_\_\_ in.  
 Door height: \_\_\_\_\_ ft. \_\_\_\_\_ in.  
 Dock height: \_\_\_\_\_ ft. \_\_\_\_\_ in.

Bumper protection\*: \_\_\_\_\_ in.

(\*Includes bumper projection and any building wall/foundation offset or cantilever)

### TRUCKS AND TRAILERS SERVICED

Width: \_\_\_\_\_ Max. \_\_\_\_\_ Min.

Height: \_\_\_\_\_ Max. \_\_\_\_\_ Min.

Length: \_\_\_\_\_ Max. \_\_\_\_\_ Min.

Hydraulic tailgate:  Yes  No

Tailgate/step section size: \_\_\_\_\_ in

Rear step section:  Yes  No

Yard jockeys:  Yes  No

### PROJECT INFORMATION

JOB NAME \_\_\_\_\_

ADDRESS \_\_\_\_\_

GENERAL CONTRACTOR \_\_\_\_\_

DISTRIBUTOR \_\_\_\_\_

QUANTITY \_\_\_\_\_

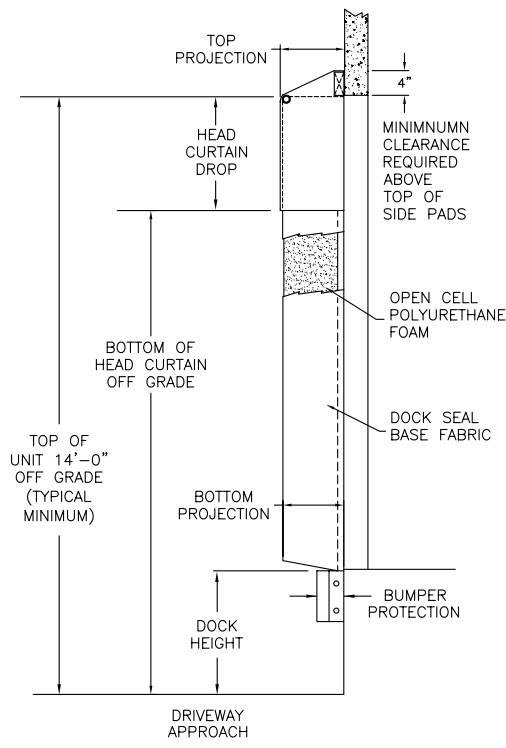
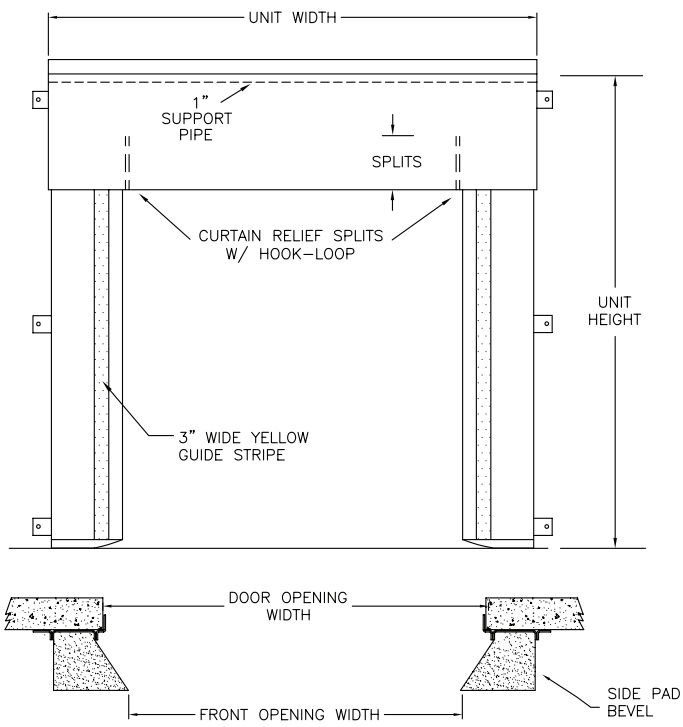
### CERTIFIED FOR CONSTRUCTION

BY \_\_\_\_\_

COMPANY \_\_\_\_\_

ADDRESS \_\_\_\_\_

DATE \_\_\_\_\_



Quantity \_\_\_\_\_ Unit Width: \_\_\_\_\_ (Total inches)

Head Curtain Height:  18"  24"  30"  36"  42"  48"  \_\_\_\_\_

Head Curtain Splits:  12"  18"  24"  30"  36"  \_\_\_\_\_

Head Curtain Options:  None  Pull-rope assy  O-rings  2" foam front  Sectional foam front

Side Pad Height: \_\_\_\_\_ (Total inches)

Side Pad Back/Face:  6/10  8/12  10/12  12/12  12/15  8/15  6/14  10/18  8/23

Base Material:  22 oz. vinyl  40 oz. vinyl  XL-100

Color:  Black  Tan  Brown  Blue  Green

Taper:  Tapered  Non-Tapered

Top Projection:  8"  10"  12"  14"  16"  18"  20"  22"  \_\_\_\_\_

Bottom Projection:  8"  10"  12"  14"  16"  18"  20"  22"  \_\_\_\_\_

Blockout:  None Blockout Projection:  2"  4"  6"  8"  10"  12"  \_\_\_\_\_

Wear Pleats:  None  4"  8"  16"  Head and side pads  Head pad corners

Material:  22 oz. vinyl  40 oz. vinyl  XL-100

Color:  Black  Tan  Brown  Blue  Green

Wear Face:  None  Head pad  Side pad

Material:  22 oz. vinyl  40 oz. vinyl  XL-100

Color:  Black  Tan  Brown  Blue  Green

Reinforced Inside Face:  None  Side pad 4"  Side full height

Material:  22 oz. vinyl  40 oz. vinyl  XL-100

Color:  Black  Tan  Brown  Blue  Green

Options:  Door numbers  24" Guide stripes  Flame retardant fabric  Flame retardant foam

Bottom Flaps:  3"  6"  \_\_\_\_\_ Bottom Flaps Location:  Inside  Inside & front  All sides

Side Pad Mounting Brackets:  None  Flats & angles  Angles  1 1/2" Offsets & angles

\*Note: Consult factory for blockout application assistance.

\*Conversions: To convert measurements to metric, see formulas below:

Inches x 25.4 = millimeters (Example: 4" x 25.4 = 101.6 mm)

Feet x .3048 = meters (Example: 12' x .3048 = 3.66 m)



**Serco**  
 1612 Hutton Drive, Suite 140  
 Carrollton, TX 75006  
 800.933.4834  
 www.sercockproducts.com

4Front Engineered Solutions reserves the right to change specifications and designs without notice and without incurring obligations. 4Front Engineered Solutions products may be the subject of one or more U.S. and/or foreign, issued and/or pending, design and/or utility patents. Serco as word and logo are registered trademarks belonging to ASSA ABLOY Entrance Systems AB or other companies controlled by the same organization. All rights reserved.

©ASSA ABLOY. All rights reserved. Part of ASSA ABLOY. Printed in USA. Form # SPS-SE700-0121